

SMART Board® MX Pro (V4) series

SBID-MX055-V4-PW
 SBID-MX065-V4-PW
 SBID-MX075-V4-PW
 SBID-MX086-V4-PW



Display	
Screen sizes (diagonal)	55", 65", 75", 86"
Backlight	LED
Aspect ratio	16:9
Maximum display resolution	4K UHD (3840 × 2160)
Refresh rate	60 Hz
Lifespan	≥ 50,000 hours
Brightness (maximum)	55": ≥ 300 cd/m ² 65", 75", 86": ≥ 400 cd/m ²
Response time	≤ 8 ms
Viewing angle	178°
Glass	55": Fully heat-tempered, anti-glare glass 65", 75", 86": Fully heat-tempered, anti-glare, bonded glass
Frame color	White
Convenience buttons	Home, power, volume, input select, screen shade, freeze frame
Sensors	Ambient light, infrared
Audio	55": 2 integrated 15 W speakers 65", 75", 86": 2 integrated 20 W speakers Integrated linear six-microphone array with support for onboard acoustic echo cancellation

NFC	Integrated RFID NFC reader/writer CCID (chip card interface device) when used with a native driver for operating systems (Windows, Linux, and/or Mac) Supported protocols: ISO 14443A/B, ISO 15693, NFC Tag 1-4
------------	---

Interactive experience	
Touch technology	HyPr Touch™ with Advanced IR
Touch features	Simultaneous Tool Differentiation™ Object Awareness™ Silktouch™
Typical response time	≤ 5 ms
Frame rate	≥ 200 Hz
Accuracy	1 mm
Minimum object size	2 mm
Multitouch capabilities	20 – Windows®, Mac, and Android™ 10 – Chrome OS™
Tools included	Pens (x2)
Tool holders	Magnetic, frame-mounted

smarttech.com
smarttech.com/contact

© 2023 SMART Technologies ULC. All rights reserved. SMART Board, SMART Notebook, SMART Ink, HyPr Touch, Simultaneous Tool Differentiation, Object Awareness, Silktouch, smarttech, the SMART logo and all SMART taglines are trademarks or registered trademarks of SMART Technologies ULC in the U.S. and/or other countries. The Adopted Trademarks HDMI, HDMI High-Definition Multimedia Interface, and the HDMI Logo are trademarks or registered trademarks of HDMI Licensing Administrator, Inc. in the United States and other countries. All other third-party product and company names may be trademarks of their respective owners. This product and/or use thereof is covered by one or more of the following U.S. patents: www.smarttech.com/patents. Models and specifications may vary by region. Please contact your local representative for details. Contents are subject to change without notice. May 1, 2023.

Software	
SMART Meeting Pro® Room license	Included
SMART Meeting Pro Personal licenses (×10)	Included
SMART Ink® and SMART Product Drivers	Included
SMART Remote Management	Subscription for length of the included warranty

PC computing	
OPS support	✓
OPS-C support	✓
PC module power supported OPS	60 W
Optional computing module	SMART OPS PC with Windows 11 Pro

Inputs	Front	Back
OPS PC accessory slot (60 W devices)	–	1
MicroSD slot	–	1
HDMI® 2.1 with HDCP 1.4 and HDCP 2.3 support	1	2
VGA video	–	1
Stereo 3.5 mm (variable)	–	1
RS-232 (DB-9 connector)	–	1
RJ45 (LAN IN)	–	1
USB Type-C 4K @ 60Hz Display Port 1.2, USB 2.0 (UFP) for touch and digital audio, USB 3.2 Gen 1 (DFP) for peripherals; 15 W power delivery	1	–
USB Type-C 4K @ 60Hz Display Port 1.2, USB 2.0 (UFP) for touch and digital audio, USB 3.2 Gen 1 (DFP) for peripherals; 65 W power delivery	–	1
USB 2.0 Type-A	–	1
USB 3.2 Type-A	2	2
USB 3.2 Gen 1 Type-B	1	3

Outputs	Front	Back
HDMI 2.1 with HDCP 2.3 support	–	1
Stereo 3.5 mm (variable)	–	1
S/PDIF optical (fixed)	–	1
RJ45 (LAN OUT)	–	1

Included cables and accessories	Qty
Country-specific power cable	1
16' 5" (5 m) USB 2.0 A to B cable	1

Included cables and accessories	Qty
Pens	2
External dual-band Wi-Fi antenna (2.4 and 5 GHz) and External Bluetooth antenna (2.4 GHz)	3
Remote control	1
AAA batteries	2
Illustrated installation instructions	1
Important information document	1

Connectivity

Wired	RJ45 (×2) 1000baseT
--------------	---------------------

Storage and operating requirements

Power requirements	100V to 240V AC, 50 Hz to 60 Hz
Operating temperature	41–95°F (5–35°C)
Storage temperature	–4–140°F (–20–60°C)
Humidity	5–80% relative humidity, non-condensing

Power consumption

Typical	55": 88 W 65": 124 W 75": 142 W 86": 177 W
Standby	<0.5 W

Certification and compliance¹

US / Canada	UL, FCC, ISED, TSCA, CONEG Packaging, Proposition 65
EU / EEA / EFTA / UK	CE, UKCA, LVD, CB, EMCD, RED, REACH, RoHS, Battery, WEEE, Packaging, POP, Ecodesign
Australia / New Zealand	RCM
Performance standards	ENERGY STAR®, HDMI, HDCP

Purchasing information

Order numbers	
Order number: SBID-MX055-V4-PW	SMART Board MX055-V4 interactive display
Order number: SBID-MX065-V4-PW	SMART Board MX065-V4 interactive display

¹Product availability may vary by region.

This product has received additional certifications not listed here.

Order number: SBID-MX075-V4-PW	SMART Board MX075-V4 interactive display
Order number: SBID-MX086-V4-PW	SMART Board MX086-V4 interactive display

Optional accessories

Order number: WM-SBID-200	SMART Wall Mount for SMART MX series interactive displays
Optional accessories	See smarttech.com/accessories

Warranty

SMART Assure warranty	Terms and conditions and warranty upgrade options vary by region. Visit smarttech.com/warranty or contact your reseller for information
------------------------------	---

Cable requirements

HDMI	Certified premium high speed HDMI (18 Gbps) Maximum length: 23' (7 m)
USB 2.0	USB 2.0 certified Hi-Speed (480 Mbps) support Maximum length: 16' (5 m)
USB 3.0	USB 3.0 certified SuperSpeed (5 Gbps) support Maximum length: 9' (3 m)
USB Type-C	USB 3.2 Gen 1 certified SuperSpeed (5 Gbps) support Maximum length: 6' (2 m)
More information	See smarttech.com/kb/171555

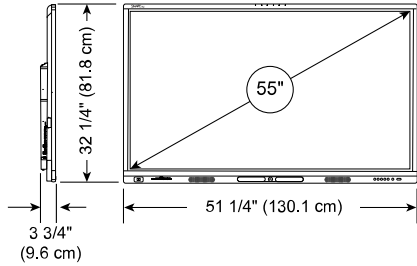
Installation, dimensions, and weights

Notes

- All dimensions $\pm 1/8"$ (0.3 cm). All weights ± 2 lb. (0.9 kg).
- Product ships upright.
- Leave space around the display to ensure adequate ventilation. See *SMART Board MX series interactive displays installation and maintenance guide* (smarttech.com/kb/171257) for the specific space requirements.

SBID-MX055-V4-PW

Dimensions



Weight

71 lb. (32 kg)

Shipping dimensions (including pallet)

56.1" \times 43.7" \times 6.3"
(142.5 cm \times 111 cm \times 16 cm)

Shipping weight (including pallet)

103 lb. (47 kg)

VESA mount

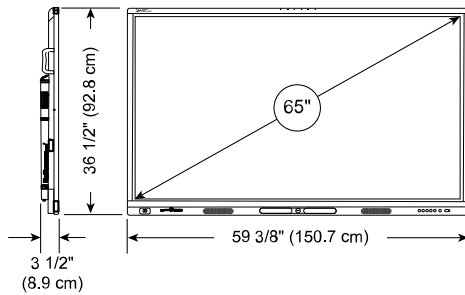
M8, 400 \times 400 mm

Handles

0

SBID-MX065-V4-PW

Dimensions



Weight

89 lb. (40 kg)

Shipping dimensions (including pallet)

63.8" \times 45.9" \times 6.3"
(162 cm \times 116.5 cm \times 16 cm)

Shipping weight

124 lb. (56 kg)

VESA mount

M8, 600 \times 400 mm

Handles

2

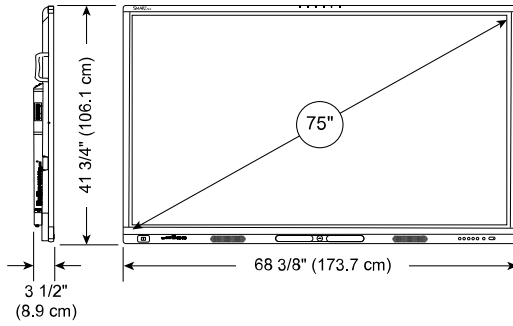
Installation, dimensions, and weights (continued)

Notes

- All dimensions $\pm 1/8"$ (0.3 cm). All weights ± 2 lb. (0.9 kg).
- Product ships upright.

SBID-MX075-V4-PW

Dimensions



Weight

119 lb. (54 kg)

Shipping dimensions (including pallet)

71.7" \times 50.6" \times 6.3"
(182 cm \times 128.5 cm \times 16 cm)

Shipping weight

159 lb. (72 kg)

VESA mount

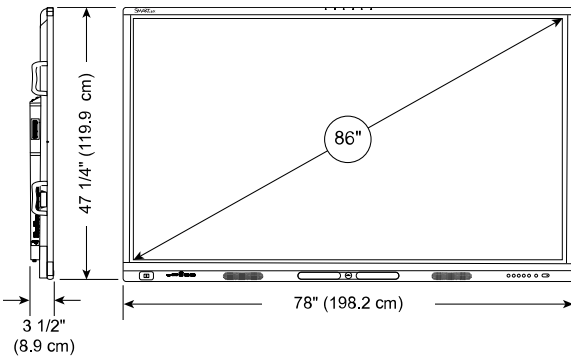
M8, 800 \times 400 mm

Handles

2

SBID-MX086-V4-PW

Dimensions



Weight

150 lb. (68 kg)

Shipping dimensions (including pallet)

85.2" \times 59.6" \times 6.3"
(216.5 cm \times 144.5 cm \times 16 cm)

Shipping weight

207 lb. (94 kg)

VESA mount

M8, 800 \times 600 mm

Handles

4